

Artesia



ARTESIA realistically and physically represents slate, an ancient and natural stone. Beautifully textured with all the irregularities and variations in colour, ARTESIA is available in four classical colours and a wide range of sizes.

PRODUCT TYPE: Colour-bodied porcelain

COLOURS: Pearl, Argent, Ash and Black

TILE SIZES: 145x498mm, 300x600mm, 600x600mm,
600x1200mm, 450x900mm, 900x900mm
Rectified edges

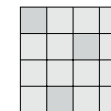
TILE FINISHES/USAGE: Natural, Semi-Polish and Grip/Wall and Floor

AESTHETIC QUALITIES: Slate look, soft texture

TILE TECHNICAL DATA: Matt P3 (X Pendulum)
Grip P5 (V Pendulum)

The GRIP finish in all colours receives a Sustainable Slip Resistance value of P3 'X' pendulum after 500 cycles

VARIATION:



V3

Artesia

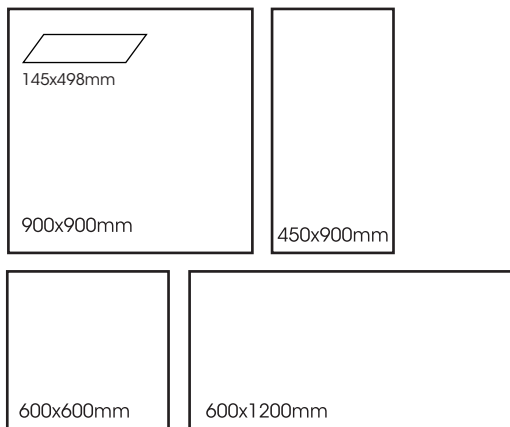
PRODUCT SPECIFICATIONS - TILES

SIZES	FINISHES	SLIP RATING	TILE EDGE
145x498mm	CHEVRON NATURAL	P3 (X Pendulum)	RECTIFIED
300x600mm	NATURAL	P3 (X Pendulum)	RECTIFIED
600x600mm	NATURAL	P3 (X Pendulum)	RECTIFIED
600x1200mm*	NATURAL	P3 (X Pendulum)	RECTIFIED
450x900mm*	NATURAL	P3 (X Pendulum)	RECTIFIED
900x900mm*	NATURAL	P3 (X Pendulum)	RECTIFIED
600x600mm*	SEMI-POLISH	-	RECTIFIED
600x1200mm*	SEMI-POLISH	-	RECTIFIED
450x900mm*	SEMI-POLISH	-	RECTIFIED
900x900mm*	SEMI-POLISH	-	RECTIFIED
300x600mm*	GRIP**	P5 (V Pendulum)	RECTIFIED
600x600mm	GRIP**	P5 (V Pendulum)	RECTIFIED
600x600x20mm*	GRIP PAVER**	P5 (V Pendulum)	RECTIFIED
450x900x20mm*	GRIP PAVER**	P5 (V Pendulum)	RECTIFIED

* Indent item - Subject to stock availability overseas, please allow 8-10 weeks lead time from date of order confirmation. Minimum quantity may apply.

**The GRIP finish in all colours receives a Sustainable Slip Resistance value of P3 'X' pendulum after 500 cycles

FORMATS



PEARL

*145x498mm chevron is available in left and right tiles



ARGENT

*145x498mm chevron is available in left and right tiles

Variation is an inherent property of tiles and stone. Sizes are nominal and may include a joint.

Artesia

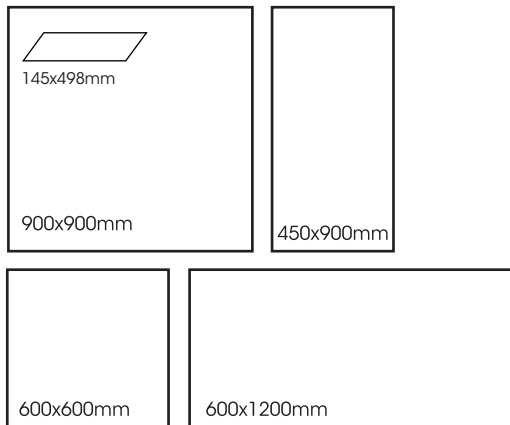
PRODUCT SPECIFICATIONS - TILES

SIZES	FINISHES	SLIP RATING	TILE EDGE
145x498mm	CHEVRON NATURAL	P3 (X Pendulum)	RECTIFIED
300x600mm	NATURAL	P3 (X Pendulum)	RECTIFIED
600x600mm	NATURAL	P3 (X Pendulum)	RECTIFIED
600x1200mm*	NATURAL	P3 (X Pendulum)	RECTIFIED
450x900mm*	NATURAL	P3 (X Pendulum)	RECTIFIED
900x900mm*	NATURAL	P3 (X Pendulum)	RECTIFIED
600x600mm*	SEMI-POLISH	-	RECTIFIED
600x1200mm*	SEMI-POLISH	-	RECTIFIED
450x900mm*	SEMI-POLISH	-	RECTIFIED
900x900mm*	SEMI-POLISH	-	RECTIFIED
300x600mm*	GRIP**	P5 (V Pendulum)	RECTIFIED
600x600mm	GRIP**	P5 (V Pendulum)	RECTIFIED
600x600x20mm*	GRIP PAVER**	P5 (V Pendulum)	RECTIFIED
450x900x20mm*	GRIP PAVER**	P5 (V Pendulum)	RECTIFIED

* Indent item - Subject to stock availability overseas, please allow 8-10 weeks lead time from date of order confirmation. Minimum quantity may apply.

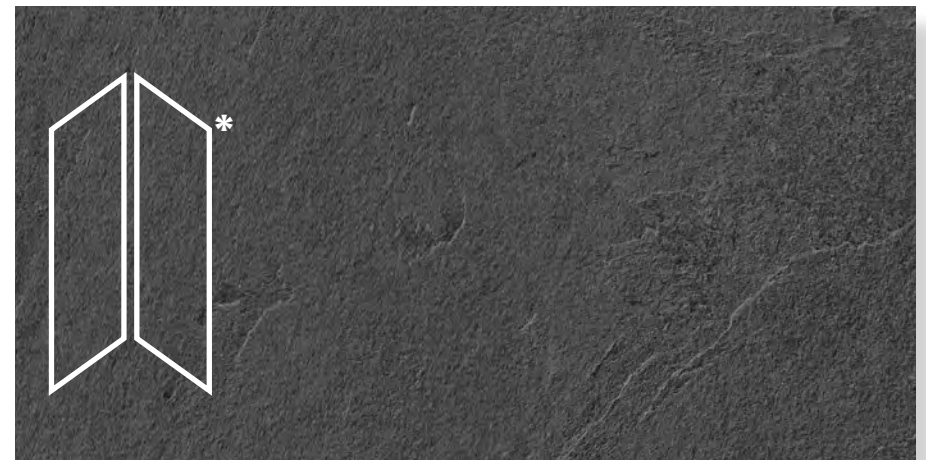
**The GRIP finish in all colours receives a Sustainable Slip Resistance value of P3 'X' pendulum after 500 cycles

FORMATS



ASH

*145x498mm chevron is available in left and right tiles

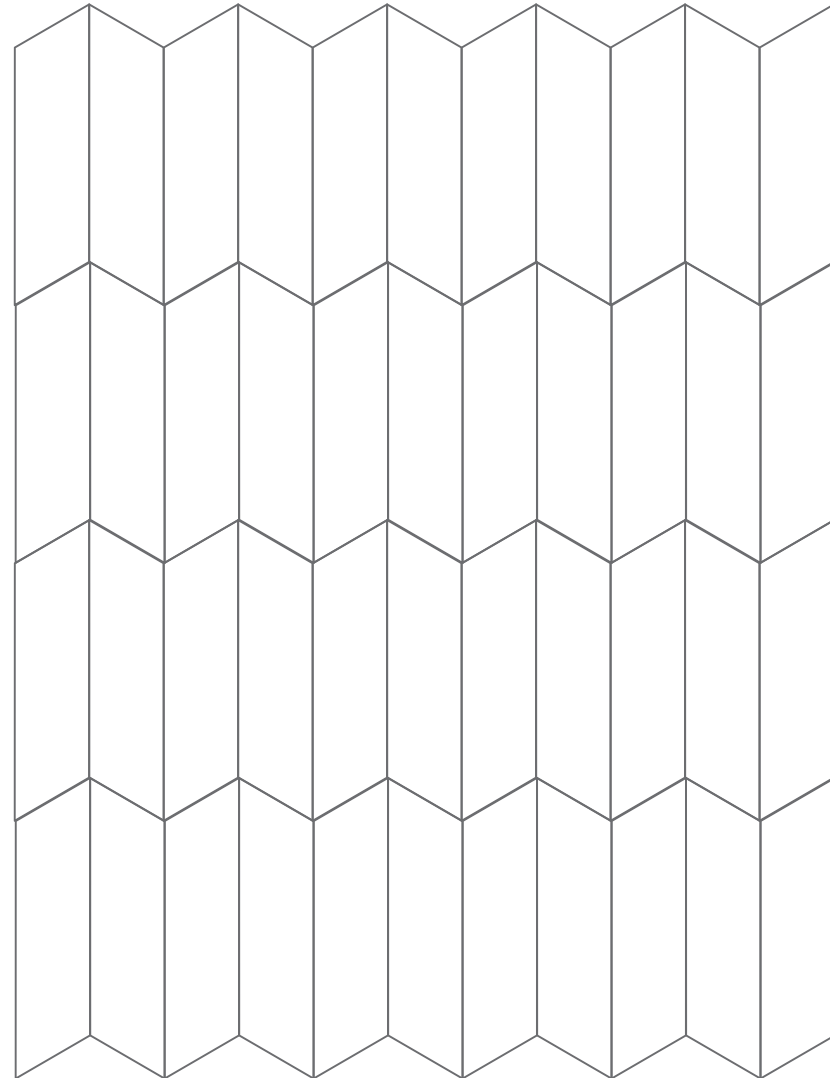
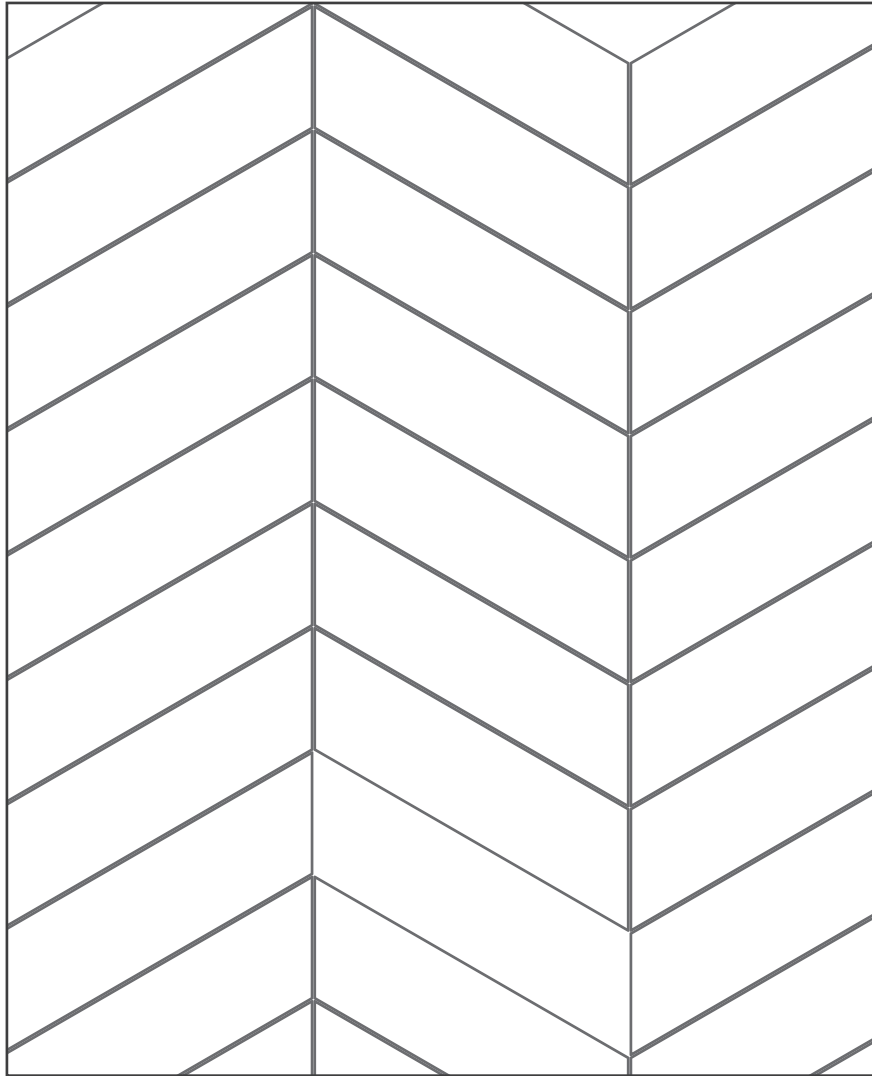


BLACK

*145x498mm chevron is available in left and right tiles

Variation is an inherent property of tiles and stone. Sizes are nominal and may include a joint.

Artesia



Artesia



Artesia








Artesia



Artesia



TECHNICAL CHARACTERISTICS - TILES

	technical characteristics	test method	required values	value
	water absorption	iso 10545-30	≤ 0,5%	0.05%
	breaking strength (S)	iso 10545-4	≥ 250 lbs	600 lbs (10.5mm)
	abrasion resistace	iso 10545-7	≤ 175 mm ³	≤ 145 mm ³
	chemical resistance	iso 10545-13	As indicated by manufacturer	Resistant
	stain resistance	iso 10545-14	As indicated by manufacturer	Resistant