

Cleft



Pictured:- Cleft Tawn Natural 300x600mm

A sleek interpretation of slate, CLEFT Series features realistic textures and irregularities of this beautiful natural stone. Available in five colours and two finishes suitable for both wall and floor.

PRODUCT TYPE: Glazed, colour bodied porcelain

COLOURS: Tawn, Pearl, Sky Grey, Midnight Ash and Hampshire

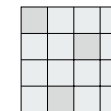
SIZES: 75x300mm, 300x600mm, 600x600mm and 600x1200mm
Rectified Edges

FINISHES/USAGE: Natural and Grip/Wall and Floor

AESTHETIC QUALITIES: Natural Slate look

TECHNICAL INFO: P3 Pendulum slip rating (Natural)
P5 Pendulum slip rating (Grip)
More technical data on the last page

VARIATION:



V3

CERTIFICATIONS:

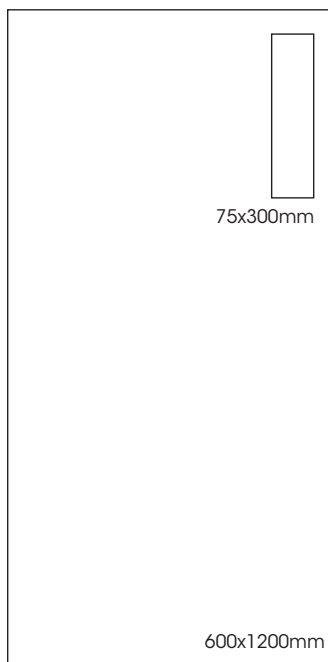
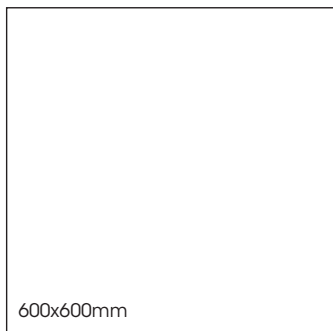


PRODUCT SPECIFICATIONS

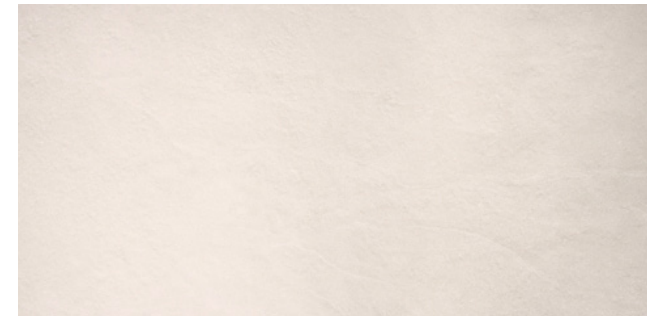
SIZES	FINISHES	TILE EDGE	SLIP RATING
75x300mm	NATURAL	RECTIFIED	P3 Pendulum
300x600mm	NATURAL	RECTIFIED	P3 Pendulum
600x600mm	NATURAL	RECTIFIED	P3 Pendulum
600x1200mm	NATURAL	RECTIFIED	P2 Pendulum
300x600mm	GRIP	RECTIFIED	P5 Pendulum

* 600x1200mm is available in Tawn and Pearl only

FORMATS



TAWN NATURAL



TAWN GRIP



PEARL NATURAL



SKY GREY NATURAL



SKY GREY GRIP

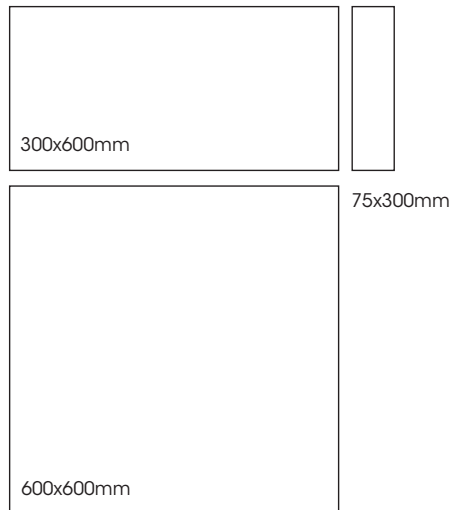
Variation is an inherent property of tiles and stone. Sizes are nominal and may include a joint.

PRODUCT SPECIFICATIONS

SIZES	FINISHES	TILE EDGE	SLIP RATING
75x300mm	NATURAL	RECTIFIED	P3 Pendulum
300x600mm	NATURAL	RECTIFIED	P3 Pendulum
600x600mm	NATURAL	RECTIFIED	P3 Pendulum
300x600mm	GRIP	RECTIFIED	P5 Pendulum

*Please note - Hampshire is not available in Grip

FORMATS



MIDNIGHT ASH NATURAL



MIDNIGHT ASH GRIP



HAMPSHIRE NATURAL

Cleft



Cleft











Variation is an inherent property of tiles and stone. Sizes are nominal and may include a joint.

Cleft



TECHNICAL DATA

	technical characteristics	test method	required values	result
	water absorption	ISO 10545-3	≤0.5%	≤0.4%
	modulus of rupture	ISO 10545-4	≥ 35 N/mm2	compliant
	surface quality	ISO 10545-2	Complies	≥95%
	thermal shock resistance	ISO 10545-9	Complies	compliant
	deep abrasion resistance	ISO 10545-6	≤ 1100	compliant
	chemical resistance	ISO 10545-13	Declared value	compliant
	resistance to frost	ISO 10545-12	Resistant	compliant
	staining resistance	ISO 10545-14	Minimum Class 3	compliant

CERTIFICATIONS



ISO 14001:2015 specifies the requirements for an environmental management system that an organization can use to enhance its environmental performance. ISO 14001:2015 is intended for use by an organization seeking to manage its environmental responsibilities in a systematic manner that contributes to the environmental pillar of sustainability.